

HTS100 Series High Performance Temperature Sensors



HTS101
(Resistive signal type)



HTS102
(Integrated Type)



HTS103
(Integrated Isolated Type)



HTS104
(Integrated Display Type)

Characters:

- ☆ Simple installation and multifarious-temp scope
- ☆ Gas and liquid medium available
- ☆ Medium compatible 316L stainless steel
- ☆ Excellent long time stability and lower consumption
- ☆ Smaller dimension and Compact structure
- ☆ Response fast and high accuracy
- ☆ Various linear analog signal output optional
- ☆ Highly-efficient RFI & EMI resistance
- ☆ Automotive compensation digital circuits
- ☆ And so on

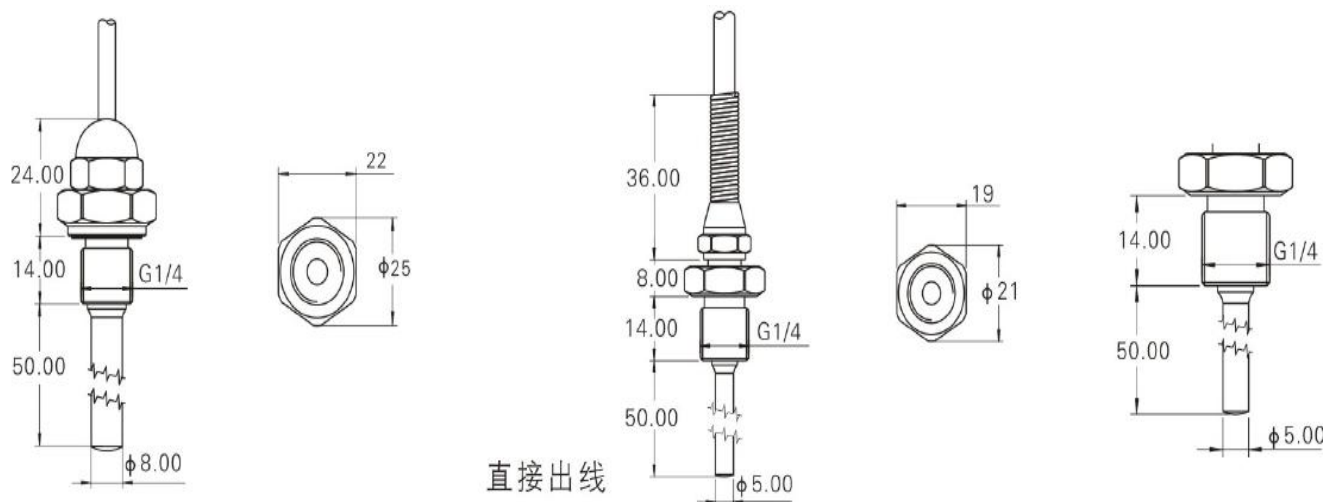
Applications:

- ★ pipeline and ventilation system
- ★ Hydraulic and pneumatic system
- ★ Petrochemical industry
- ★ Hydraulic and pneumatic systems
- ★ Cooling system
- ★ Heating system
- ★ Air Conditioning System (HAVC)
- ★ Automatic system temperature measurement and control
- ★ Agricultural Greenhouses application
- ★ And so on

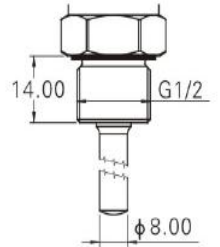
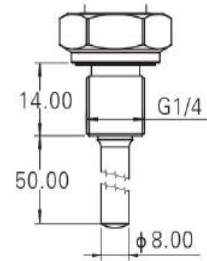
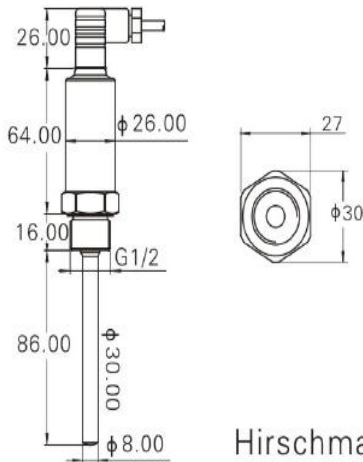
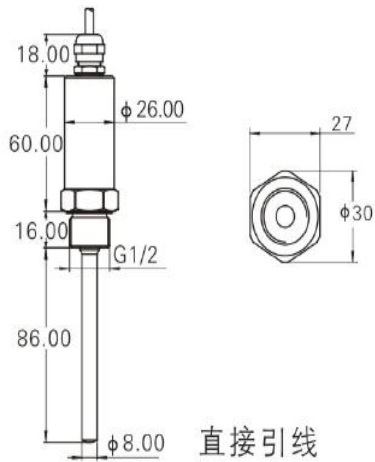
I . Specifications:

Model:	HTS101	HTS102	HTS103	HTS104
Parameter:				
Measurement Range (Degree C/ °C):	-50~0; -50~50; 0~80; 0~100; 0~120;0~150	0~200 optional	0~250; 0~300; 0~400 optional	-50 to 400 optional
Installation Type:	Insert type	Insert type	Insert type	Insert type
Probe length:	50 mm or customized	50 mm or customized	50 mm or customized	50 mm or customized
Probe Dimension:	Φ6; Φ8 optional	Φ6; Φ8 optional	Φ6; Φ8 optional	Φ6; Φ8 optional
Sensor Type:	PT100; Pt1000	PT100; Pt1000	PT100; Pt1000	PT100; Pt1000
Signal Output:	resistive signal	4-20 mA	0-5V	0-10V
Signal wires type:	2 wires or 3 wires	2 wires	3 wires	
Power supply:	NA	9~30Vdc		18~30Vdc
Linear:	±0.1%F.S.; ±0.25%F.S.; ±0.5%F.S. Optional			
Working pressure:	40Bar (standard); 300 Bar (customized)			
Long time stability:	0.1%F.S.			
Response time:	T=50 2.3S; T=90 5.4S			
Electronic proof:	NA	Reverse polarity protection; Overload voltage protection (standard); surge protection (customized)		
Environment temp:	-40~85 Degree C			
Storage temp:	-40~125 Degree C			
Materials of housing:	316L Stainless Steel			
Materials of process:	316L Stainless Steel			
Water proof grade:	IP65			

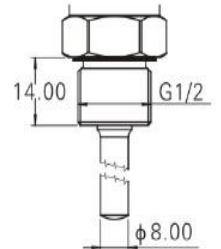
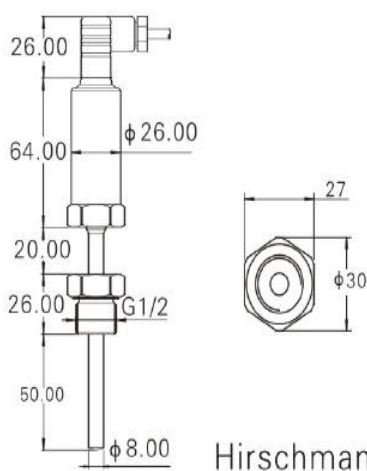
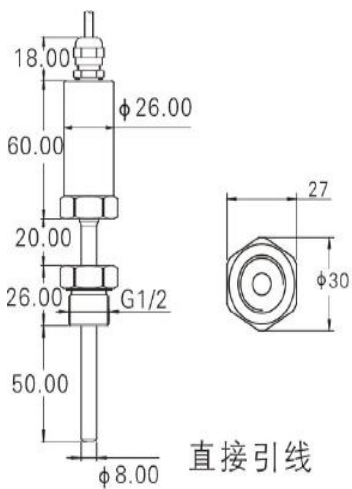
II . Dimension and Drawing:



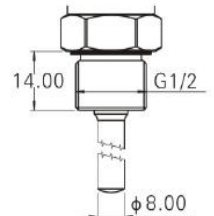
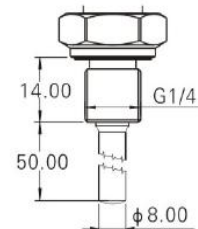
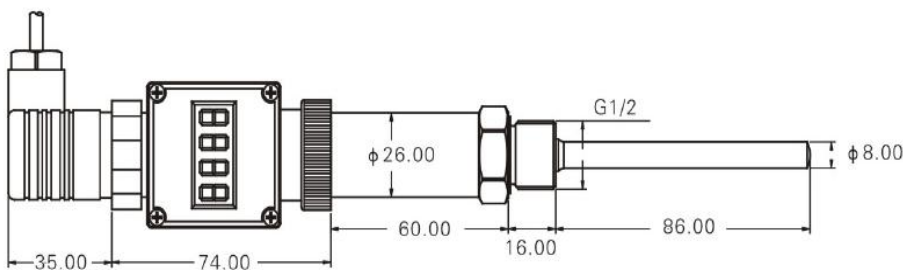
HTS101 Dimension



HTS102 Dimension



HTS103 Dimension



HTS104 Dimension

III. Model Code Selection Table:

HTS		High Performance Temperature Sensors					
	101	Temperature Sensor (resistive signal type Ω)					
	102	Integrated Type Temperature Sensor					
	103	Integrated Isolated Type Temperature Sensor					
	104	Integrated With Local Display Type Temperature Sensor					
		Range Code	Temp range	Ref.	Range code	Temp range	Ref.
		01	-50~0	101/102/104	06	0~200	101/102/104
		02	-50~+50	101/102/104	07	0~250	101/102/104
		03	0~80	101/102/104	08	0~300	103/104
		04	0~100	101/102/104	09	0~400	103/104
		05	0~150	101/102/104	10	By customized	103/104
		Code	Accuracy				
		1	0.5%F.S. (standard type)				
		2	0.25%F.S. (customized type)				
		Code	Process connection				
		8	M20x1.5 male		9	G1/2" male	
		6	G1/4" male		3	1/4"NPT male	
		10	1/2"NPT male		X	By customized	
		Code	Signal Output & Power Supply				
		E0	1-5 V (3 wire) /11~33 V DC				
		E5	4-20 mA (2 wire) /12~33V DC				
		E6	0-5 V (3 wire) /12~33 V DC				
		E7	0-10 V (3 wire) /18~33 V DC				
		E8	0.5-4.5V (3 wire) /5 V DC				
		E29	Resistive Signal Ω				
		X	By Customized				
		Code	Electronic Connection				
		H	Hirschman Box IP65				
		M	M12 4Pins Connector IP65				
		D	Directly outlet cable IP67				
		P	Packard 3Pins Connector IP65				
		A	AMP Connector IP45				
		Code	Probe Length (mm)				
		050	50 mm				
		XXX	By customized				
		Code	Probe Diameter (mm)				
		6	6 mm				
		8	8 mm				
		Code	Temp Units				
		C	Degree C/ °C				

									F	°F	
										Code	Cable Length (meter)
										003	3 meters
										XXX	By Customized
HTS	102	04	1	2	E5	D	050	6	C	003	Others Remarks

Example Model Code: HTS102-04-1-2-E5-D-050-6-C-003(3 Meters cable)