

TECHNOLOGY

HOLYKELL®

H2600 4G Series
WIRELESS
• DATASHEET •

- 1. Pressure Measurement 2. Level Measurement 3. Temperature Measurement**
4. Flow Measurement 5. Display & Control Instruments
6. Wireless Monitoring System 7. Velocity Measurement

H2600 Series

4G Wireless IoT Sensors

Applications

- Oil and gas production
- Water treatment
- Chemical processing
- Grain warehouse
- Pipeline network
- Smart Cities and Agriculture
- Process control

Features

- High accuracy up to 0.25%F.S
- Wide measuring range
- Low power consumption(0.54W) for longer battery life
- Chargeable battery with separate battery compartment
- IP68 full sealed and explosive-proof design
- GPS positioning and historical tracking function
- Bluetooth function with APP available
- Free cloud platform for wireless data monitoring & analysis

Profiles

H2600 Series wireless sensors, including H2601 pressure sensor, H2603 level sensor, H2602 temperature sensor, are smart instrument designed for wireless communication in various industrial settings. They feature a dual-line LCD, with the ability to switch between three different data displays. Powered by a lithium battery, they offer a reliable power source with a non-replaceable battery capacity of 38Ah or a rechargeable option with 13Ah, the power consumption is low, suitable for applications with power challenge.

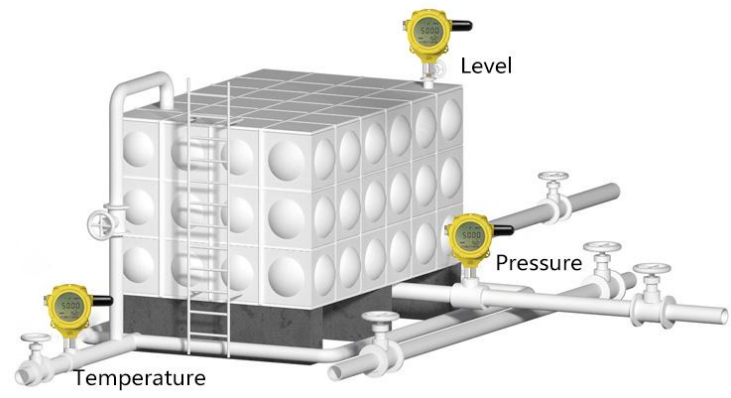
With 15Mbyte storage capacity, it allows for the storage of up to 655,360 data entries, ensuring no data is lost. H2600 series comes with Bluetooth functionality and positioning feature for precise location tracking.

Relying on 4G network, it enables wireless transmission of field instrument data to cloud platforms and APP. Real-time and historical data can be accessed online, offering flexibility in data management.

H2600 series are designed to withstand the rigors of industrial environments and meets the explosion-proof standard, ensuring safety in hazardous areas.



H2603 H2601 H2602

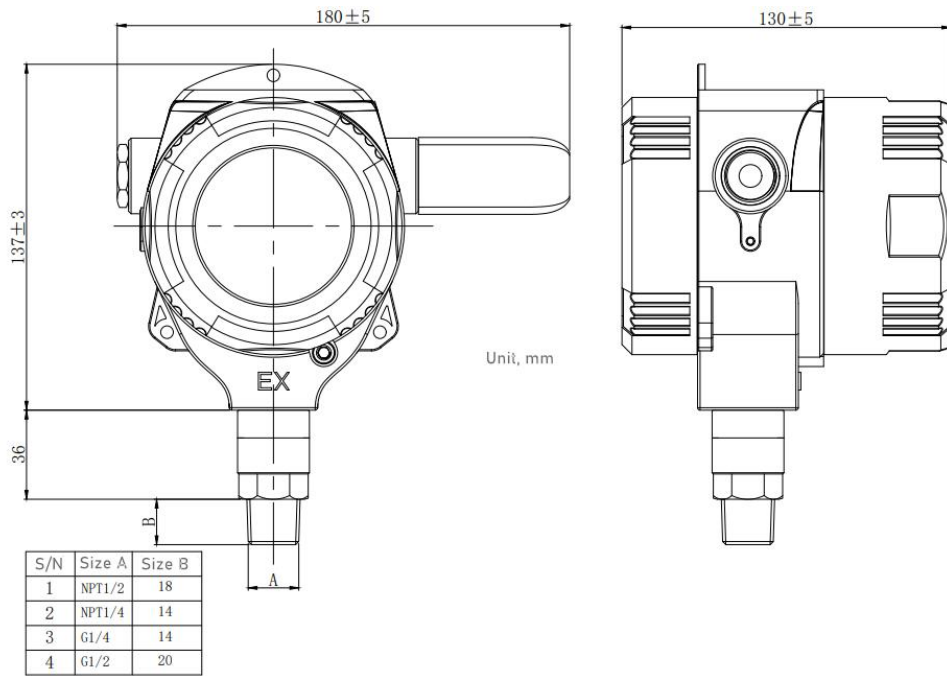


Specifications

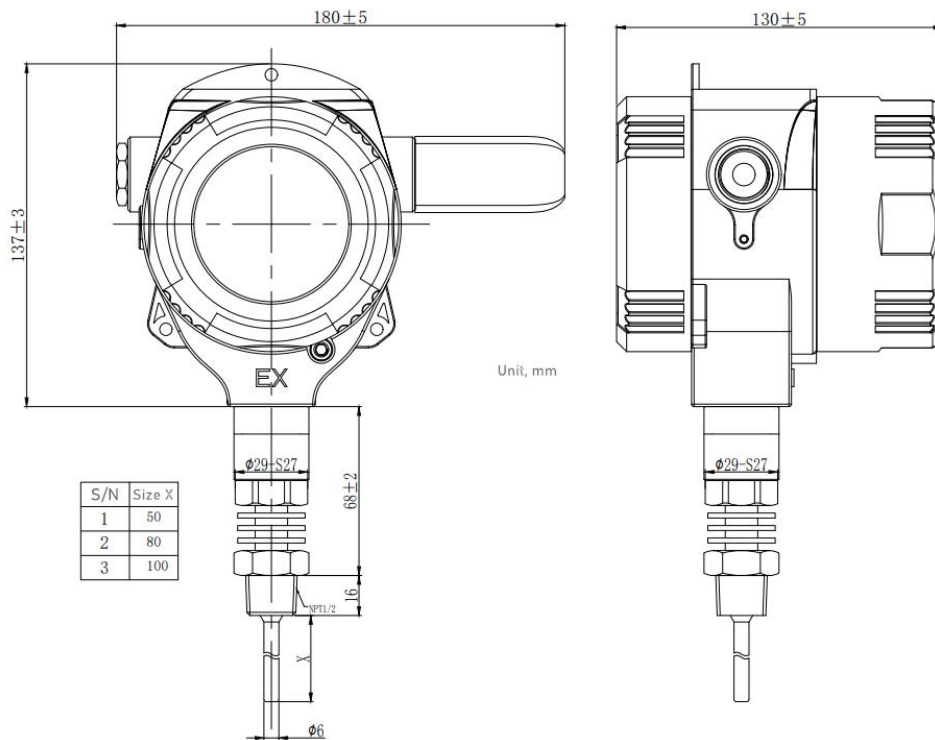
Items	H2601 Pressure sensor; H2602 Temperature sensor; H2603 Level sensor			
Display	Segment LCD Screen			
Measurement Accuracy		H2601	H2602	H2603
	Typical	0.5% F.S	0.5% F.S	0.5% F.S
	Customized	0.25%F.S,0.1% F.S	0.25% F.S	0.25% F.S, 0.1% F.S
Connection	Typical	G1/2 male, G1/4 male, 1/2"NPT male,1/4"NPT male	G1/2 male, 1/2"NPT male	M32X1.5
Measuring Range	Typical	0-0.01...100Mpa optional	-50~250°C optional	0-1m...100m optional
External Power Supply Voltage	5-36VDC			
Communication	4G			
Operating Power Consumption	<0.54W			
Standby Current	Without Bluetooth: 35ua; with Bluetooth: 120ua			
Operating Temperature	-30°C~70°C (media does not crystallize)			
IP Rating	IP68			
Explosion-proof Rating	Exd II BT6			
Battery Capacity	Non-rechargeable Battery: 3.6V, 38Ah Rechargeable Battery: 3.6V, 13Ah			
Battery Life	Up to 2 years			
Antenna	External antenna			
Storage Capacity	15Mbyte, capable of storing approximately 655,360 data records			
Data Collection Cycle	Range: 1~172,799 seconds(i.e, 2 days), Default: 1 second			
Data Reporting Cycle	Range: 1~16,777,215 seconds(i.e, 6.4727 months),, Default: 60 seconds			
	Note: There may be slight differences from standard time in the reporting cycle interval. If the current scheduled reporting fails, it will be resent during the next scheduled reporting			
Configuration Method	Local USB, Bluetooth or remote configuration			
Serial Port Parameters	Baud Rate:115200; Data Bits: 8; Stop Bits: 1; Parity: NONE			

Dimensions and Drawing

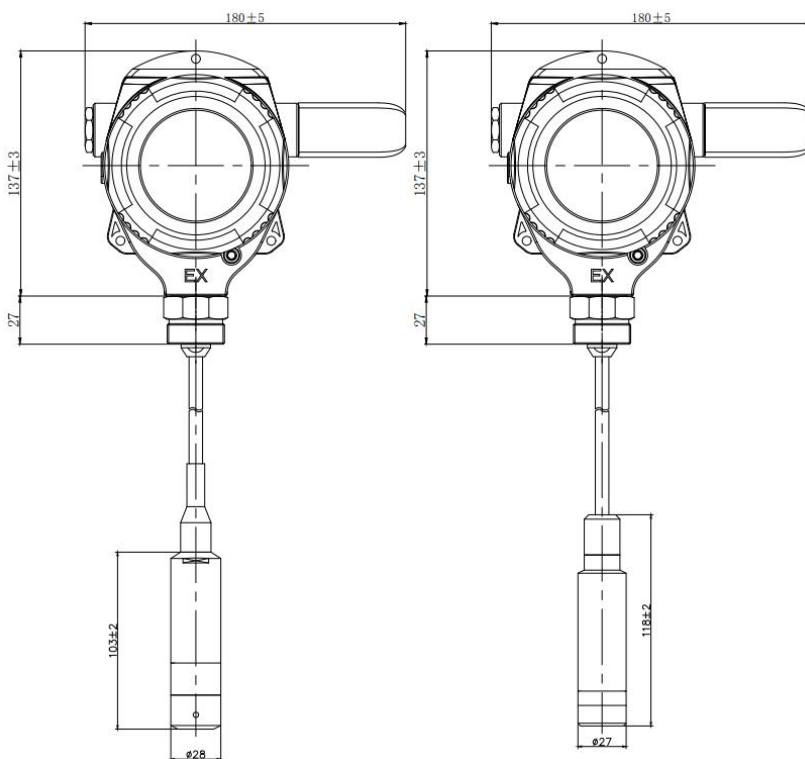
Unit, mm



Wireless Pressure Sensor H2601

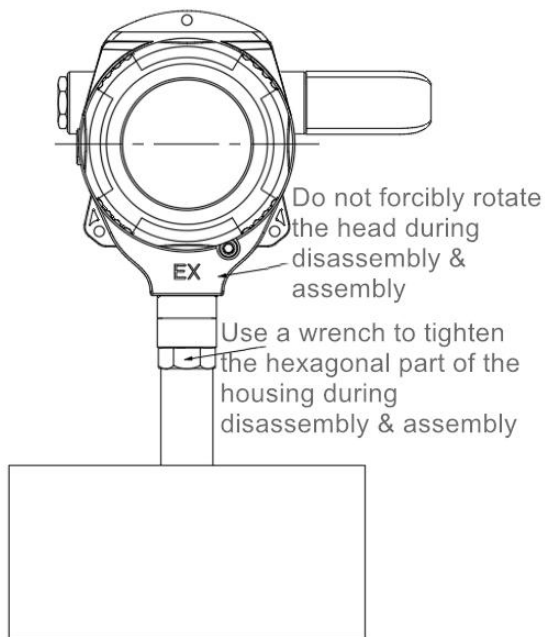


Wireless Temperature Sensor H2602

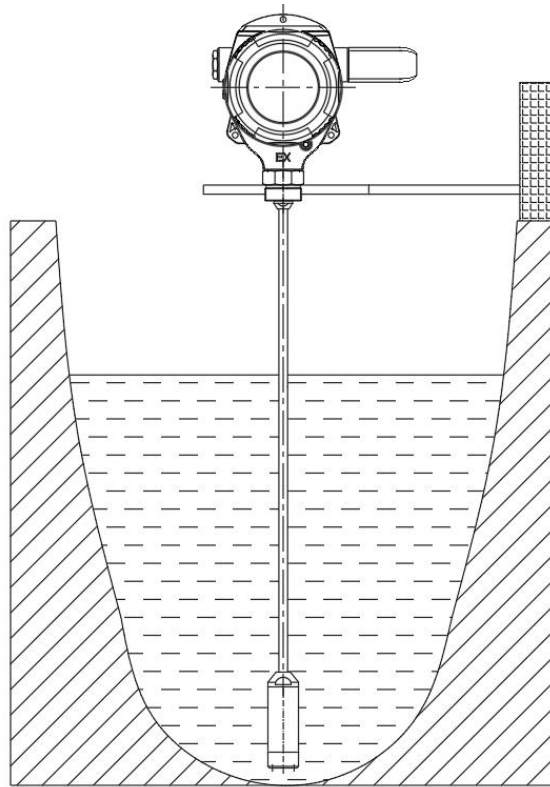


Wireless Level Sensor H2603

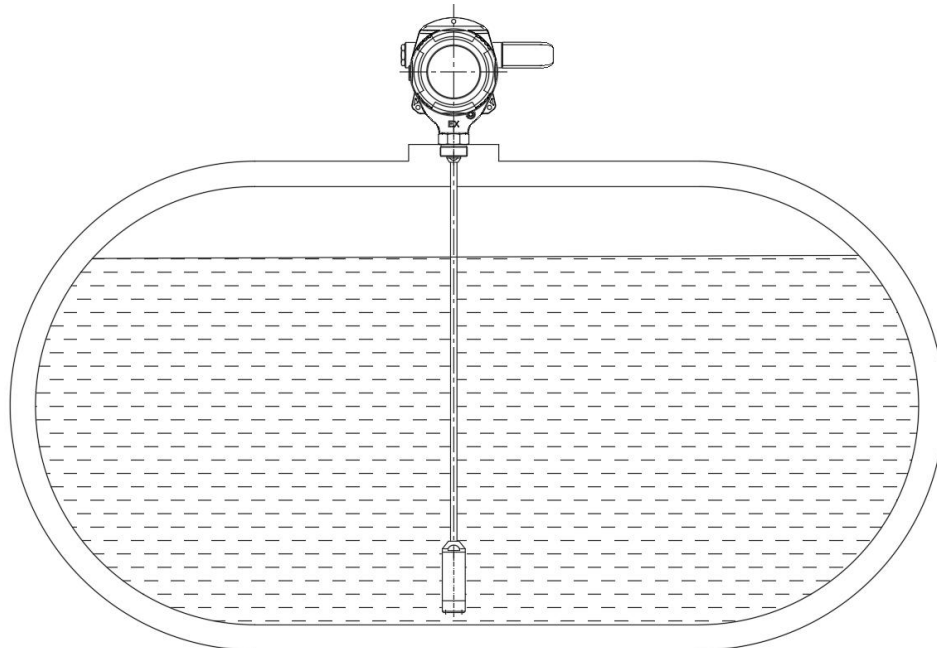
How to Install



Installed on pipelines

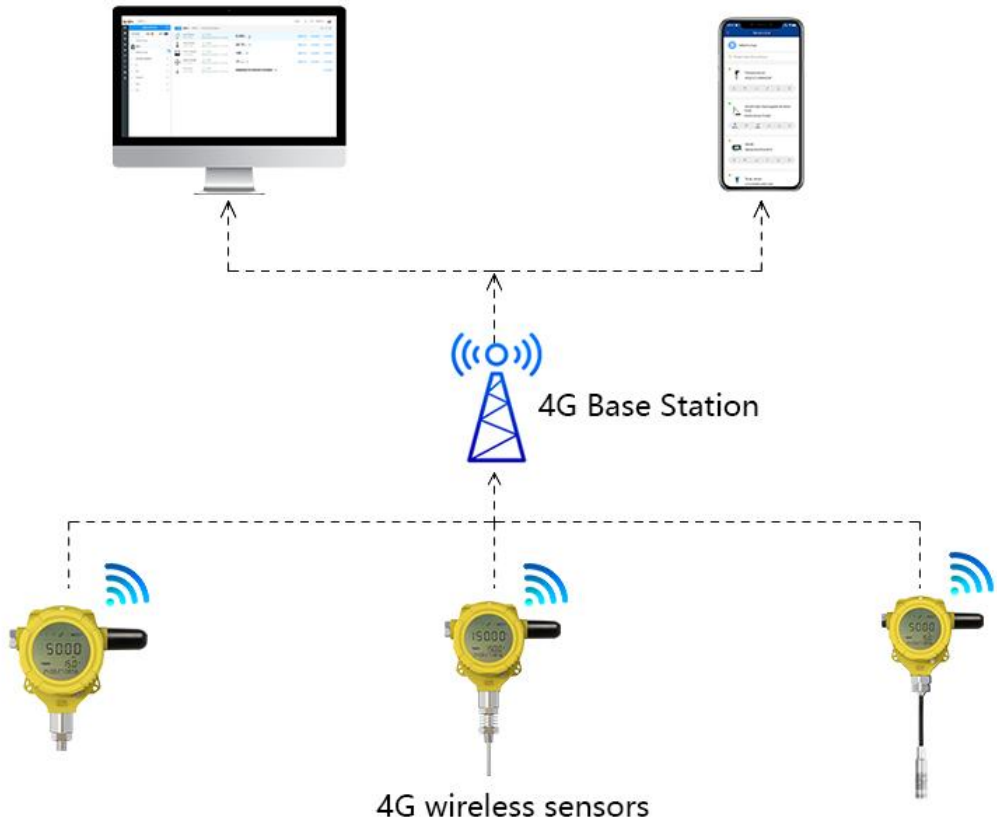


Installed above rivers



Installed in tanks

Topology



Application Function

Application Software--SmartP

<p>Free installation (from Apple & Mi store/ Google Play/Sent package)</p>	<p>Real-time monitoring Value/power/signal/video/ SIM data/curve...</p>	<p>Alarm System Alarm by SMS/email, APP setting</p>	<p>Google Map Device positioning, historical track</p>	<p>Device Management Basic/network/device parameters by Bluetooth connection</p>
---	--	--	---	---

How to Order

Smart Sensor Model Selection Table

Model	Communication	Type	Accuracy	Pressure Type	Measuring Range	Process connection
-------	---------------	------	----------	---------------	-----------------	--------------------

Smart pressure sensor

H2601	4G=4G	EP=Explosion-proof pressure sensor	1=0.5%F.S 2=0.25%F.S 3=0.1%F.S(By customized)	G=Gauge A=Absolute	0-0.01...100Mpa Others by customized	3=1/4"NPT male 6=G1/4 male 9=G1/2 male 10=1/2"NPT male X=by customized
H2601	4G	EP	1	G	100	3

Model	Communication	Type	Accuracy	Pressure Type	Measuring Range	Process connection
-------	---------------	------	----------	---------------	-----------------	--------------------

Smart temperature sensor

H2602	4G=4G	ET=Explosion-proof temp. sensor	1=0.5%F.S 2=0.25%F.S		-50~250℃ Others by customized	9=G1/2 male 10=1/2"NPT male
H2602	4G	ET	1		100	9

Model	Communication	Type	Accuracy	Pressure Type	Measuring Range	Process connection
-------	---------------	------	----------	---------------	-----------------	--------------------

Smart level sensor

H2603	4G=4G	EL=Explosion-proof level sensor	1=0.5%F.S 2=0.25%F.S 3=0.1%F.S(By customized)	G=Gauge	0-1m...100m Others by customized	43=M32X1.5
H2603	4G	EL	1	G	50	43

Example:

H2603-4G-EL-1-G-50-43

H2603, 4G communication, explosion-proof level sensor, accuracy 0.5%F.S, gauge pressure, measuring range 50m, process connection M32X1.5