

TECHNOLOGY

**HOLYKELL®**

**HPT200G**  
**PRESSURE**  
• DATASHEET •

**1. Pressure Measurement** 2. Level Measurement 3. Temperature Measurement  
4. Flow Measurement 5. Display & Control Instruments  
6. Wireless Monitoring System 7. Velocity Measurement

# HPT200G

## LED/LCD Indicator Pressure Transducer & Transmitter



### Applications

- Industrial process control
- Biomedical
- Eco saving
- Energy and water treatment
- Petroleum, chemical industry
- Metallurgy
- Hydrology, agriculture, food industry

### Features

- With 4-1/2 bits LED display
- 2 times range standard overload
- 5 times range burst pressure
- Fully Welded Stainless Steel Housing
- Surge(lightning) protection
- EMI/RFI Protection
- Zero point and span adjustable
- CE, RoHS certificate approved

### Profiles

HPT200G digital smart industrial pressure transmitter with LED/LCD display adopts high quality imported piezoresistive pressure sensor, it can read value locally, and is easy for use. It has a fully welded 316L stainless steel housing, with high shock and vibration resistance and EMI/RFI protection function. It will survive in the most extreme conditions.

HPT200G offers continuous measuring ranges up to 1000 bar in all the major units. These measuring ranges can be combined in almost any way with all the standard industrial output signals, the most common international process connections and local indicator.

Special circuits are adopted to zero and full range conveniently. LED HPT200G 4-20mA pressure sensor are approved with CE certificate.

Holykell can provide a cost effective solution for pressure monitoring for a variety of applications. Welcome your inquiry.

### Measuring range

bar	-1 to 0...0 to 1000
Kpa	-100 to 0...0 to 100000
psi	-15 to 0...0 to 15000
mbar	-1000 to 0...0 to 1000000

They give measuring range are also available in Mpa , Pa, in Hg, mm Hg

### Materials

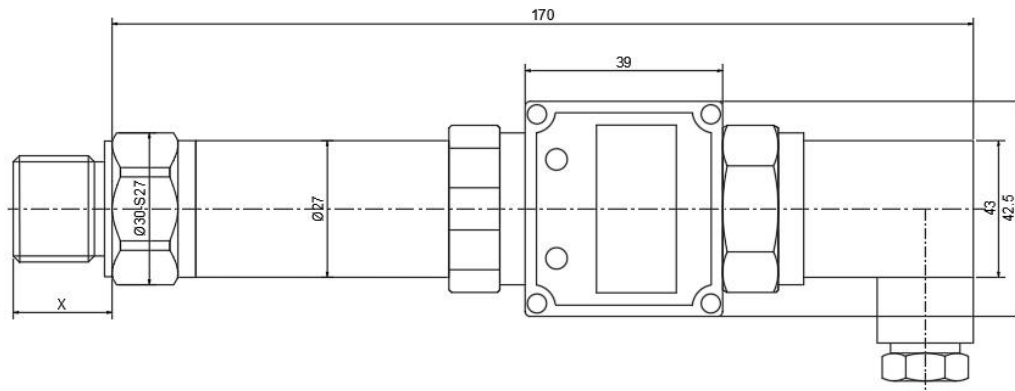
Wetted Parts	Standard	Optional
Case and sensor	SUS 316L	316 SST/SUS321
Filled Oil	Silicone oil	NA
Indicator	4 -1/2 bits LED	LCD

### Specifications

Ambient Temperature: 25°C (unless specified)

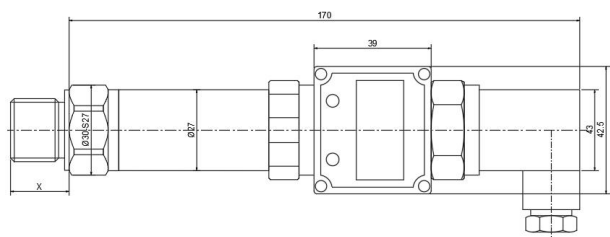
Parameter	HPT200G		
Pressure Range	Gauge /Absolute pressure optional		
Overload	150% F.S		
Burst Pressure	500% F.S		
Accuracy (Linearity Hysteresis Repeatability)	≤ ±0.5%F.S typical; ≤ ±0.25%F.S optional, ≤ ±0.1%F.S (by customized) at 25°C including non-lin., rep. and hys.		
Long-term Stability	0.1%F.S/year		
Working Temp.	-20 to +80°C(corrosive medium); -40 to +80°C(non-corrosive medium)		
Compensation Temp.	0 to +50°C(P≤35KPa) or -10 to +.80°C(P>35KPa)		
Storage Temp	-40 to +85°C		
Medium Compatible	Compatible with 316L Stainless Steel		
Electrical Wire	2 Wires	3 Wires	
Output Signal	4-20 mA	0-5 V	1-5 V
Power Supply	8-30 V DC	12-30 V DC	12-30 V DC
Insulate Resistance	>100M Ω @100V		
Zero Temp. Drift	0.01%FS/°C		
FS Temp. Drift	0.005%FS/°C		
Local Display	4 -1/2 bits LED/LCD local display		
LED indicator Specification	Non-linear: ±0.02%F.S.; Display scope: -9999 to +9999 Sampling rate 10 times / sec.; Working temp range: -30 to +80°C Overload display 'ERR'; Backlight suitable for dark environment application.		
Electrical Connection	DIN Hirschmann Terminal Box 4-pin and IP65		
Mechanical Vibration	±20g		
Pressure Connection	1/4"NPT male 1/2"NPT Female; G1/2"; G1/4"male optional. (By customized)		
IP Rating	IP65		
Response Time	≤20 ms(Current and voltage signals)		

**Dimensions and Drawing**



Unit: mm

**Electrical Connection**



DIN 43650 Connector		
Current	1	U+ / Red
	2	Iout(U-) / Green
	3	NC
	4	⊥ Connect to earth ground / Black
Voltage	1	U+ / Red
	2	U- / Black
	3	Vout / Green

Pressure Connections				
M20x1.5 male	1/2" NPT male	1/4" NPT male	G1/2" male	G1/4" male
M20x1,5 male	1/2" NPT	1/4" NPT	G1/2"	G1/4"

### How to Order

#### 1. Range Selection Table:

01	-1~65	07	0~6	13	0~35	19	0~160	25	0~500			
02	-1~125	08	0~10	14	0~40	20	0~200	26	0~600			
03	0~1	09	0~16	15	0~50	21	0~250	27	0~1000			
04	0~2	10	0~20	16	0~60	22	0~300					
05	0~3	11	0~25	17	0~70	23	0~350					
06	0~5	12	0~30	18	0~100	24	0~400	X	By Customized			




Kindly according to your application select suitable range code , Example: code 17 = 70 .  
 Unit of measure select on the Part Number Selection Table . Example: Code B=Bar , that's 70 bar .

#### 2. Part Number Selection Table:

<b>200</b> Selection Type	<b>G</b>	<b>17</b>	<b>B</b>	<b>G</b>	<b>E5</b>	<b>S12</b>	<b>3</b>	<b>E</b>	<b>1</b>	<b>002</b>
Electrical Connection	G= Hirschmann DIN43650									
Pressure Range	Range reference to pressure range selection table code									
Pressure Units	B=bar P=Psi K=KPa M=MPa H=mH2O									
Pressure type	G=Gauge/Relative A=Absolute									
Signal Output	E5=4-20 mA(2 wire) E6=0-5 V(3 wire) E0=1-5 V(3 wire) X= By customized									
Power Supply	S10=12-30 V DC S12=8-30 V DC X= By customized									
Pressure connection	3= 1/4" NPT male 5=1/8" NPT male 6=G1/4" male 7=G1/4" Female 8=M20x1.5 male 9=G1/2" male 10 =1/2" NPT male X= By customized									
Other option	E= LED (4 1/2 digits) C= LCD (4 1/2 digits)									
Accuracy	1=0.5%F.S 2=0.25%F.S 3=0.1%F.S (by customized)									
Cable length	000=Non-cable 001= Cable 1 m 002= Cable 2 m X= By customized									

### Accessories

(Notes: Please purchase separately. For the price of accessories, please contact our sales.)

	Description	Order number
	<p><b>Liquid level display control device</b>                      With all kinds of liquid level sensor, measurement according to liquid level, and according to the setting of the container structure and size and the density of liquid, calculation, display liquid volume or quality.</p>	0008
	<p><b>Cooling device</b>                      For thread attachment</p>	0004
	<p><b>Terminal box</b>                      The terminal box, with IP67 and watertight ventilation element, provides a moisture-free electrical termination for the submersible pressure transmitter. It should be mounted in dry environment or directly in the switch cabinet.</p>	0003

### Order information

Model /Measuring range /Output Signal/Medium/Cable length/Case/Accessories