

TECHNOLOGY

**HOLYKELL®**

**HPT907C**  
**PRESSURE**  
• DATASHEET •

**1. Pressure Measurement** 2. Level Measurement 3. Temperature Measurement  
4. Flow Measurement 5. Display & Control Instruments  
6. Wireless Monitoring System 7. Velocity Measurement

# HPT 907C Series

## Economic Gas/Oil/Liquids Pressure Transducers

### Applications

- Hydraulic Pressure Monitoring
- Vehicle Brake System Monitoring
- Gas/Oil Pressure Measurement
- Air compress Measurement
- Farm Machinery
- Hydraulic Control Monitoring
- Off Highway Vehicles
- Power Plants

### Features

- Range:-1-1Bar to 200Bar/0-3000Psi optional
- Accuracy:±1.0%F.S.
- MEMS technology
- High integration and high stability
- Temperature compensation, signal amplification
- EMI protection; CE Approved
- Wide voltage power supply
- Reverse polarity protection and short circuit protection.

### Profiles

The HPT907C oil & gas pressure sensor is especially designed for racing Car and track gas brake systems, it sets a new performance standard for low cost, high volume, commercial and industrial applications. Utilizing the advanced sensor packaging with high strength SUS304 Stainless Steel, HPT907C is suitable for measurement of liquid or gas pressure.

This series of products with characteristics of EMC protection, high and low temperature resistance, vibration resistance, heat shock resistance and resistance to chemical pollution and so on, which suitable for bad environment, and can be customized to different shell and parameters to meet the needs of different models. It also can provide OEM service for customers.

Holykell can provide a cost effective solution for pressure monitoring for a variety of applications. Welcome your inquiry.



### Measuring range

bar	-1 to 1.....0 to 200
Kpa	-100 to 100.....0 to 20000
psi	-15 to 15.... to 3000
mbar	-1000 to 1000 0 to 200000

They give measuring range are also available in Mpa , Pa,in Hg,mm Hg

### Materials

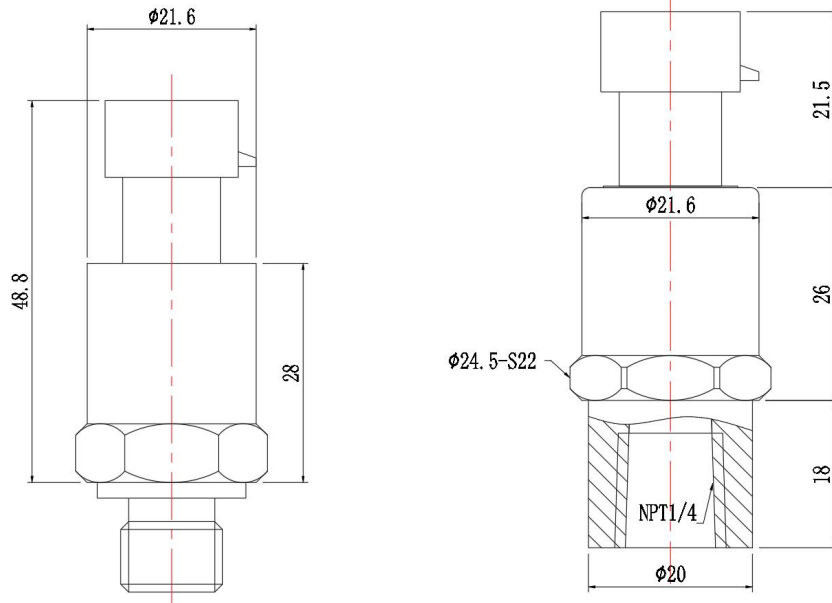
Wetted Parts	Standard	Optional
Case	SUS304	Brass/SUS316L
Sensor	Ceramic	NA

### Specifications

Ambient Temperature: 25°C (unless specified)

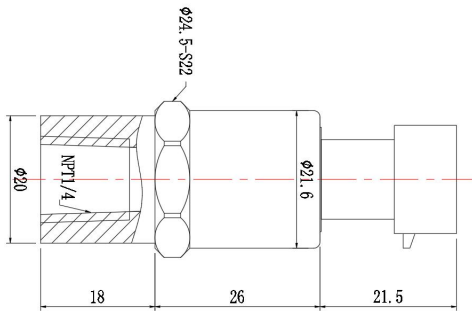
Parameter	HPT907C
Body material	SUS304 stainless steel
Overload	150% F.S
Accuracy	≤1.0%F.S. (at 0~50°C)
Max Error	±2%F.S. (including -20 ~ 80 °C temperature)
Working Temp.	-40°C~80°C(non-corrosive medium);-20°C~80°C(corrosive medium)
Storage Temp.	-40°C~125°C(Nitrile rubber sealing ring); -30°C~150°C(fluororubber rubber sealing ring)
Temperature Compensation	0°C~50°C
Medium	Air, water, oil and other non-corrosive, non-solvent medium
Signal Output	0.5-4.5V ratio-metric
Power Supply	5Vdc±5%
Supply current	<10mA
Output impedance	≥2.5kΩ
Pressure cycle life	≥50,000,000 (10%-90% span)
Connector	3 Pins Packard Connector
Pressure connect port	G1/4" male, 1/4"NPT female or by customized
Vibration	10Hz, 3mm/hour
IP Rating	IP65

■ **Dimensions and Drawing**



Unit: mm

■ **Electrical Connection**



Packard 3 Pin Connector		
Current	A	⊥ Connect to earth ground
	B	U+
	C	Iout(U-)
Voltage	A	U-
	B	U+
	C	Vout

### How to Order

#### 1. Pressure Range Selection Table:

01	-1~1	02	-1~1.5	03	-1~2	04	-1~2.5	05	-1~5	06	-1~9	07	-1~10	08	0~2	
09	0~5	10	0~10	11	0~16	12	0~20	13	0~25	14	0~30	15	0~35	16	0~40	
17	0~50	18	0~65	19	0~200	X	By customized									



Kindly according to your application select suitable range code , Example: Code 10 =10 .  
 Unit of measure select on the Part Number Selection Table . Example: Code B=Bar , that's 10 bar .

#### 2. Part Number Selection Table:

<b>907C</b> Selection Type	<b>P</b>	<b>10</b>	<b>B</b>	<b>G</b>	<b>E8</b>	<b>S6</b>	<b>3</b>	<b>M0</b>	<b>1</b>	<b>002</b>
Electrical Connection	P= Packard Connector 3 Pins									
Pressure Range	Range reference to pressure range selection table code									
Pressure Units	B=bar P=Psi M=MPa									
Pressure type	G=Gauge N=Negative									
Signal Output	E8=0.5-4.5V (3 wire)									
Power Supply	S6=5Vdc									
Pressure connection	3= 1/4" NPT male 6=G1/4" male 4=1/4" NPT Female X= By Customized									
Housing Material	M0=SU304 M3=Brass									
Accuracy	0=1.0%F.S (Typical) 1=0.5%F.S (by customized)									
Cable length	000=Non-Cable 001= Cable 1M 002= Cable 2M X= By Customized									

### Accessories

(Notes: Please purchase separately. For the price of accessories, please contact our sales.)

	Description	Order number
	<p><b>Liquid level display control device</b></p> <p>With all kinds of liquid level sensor, measurement according to liquid level, and according to the setting of the container structure and size and the density of liquid, calculation, display liquid volume or quality.</p>	0008
	<p><b>Damper</b></p> <p>Screw/damper against pressure peak</p>	0025

#### Order information

Model /Measuring range /Output Signal/Medium/Cable length/Case/Accessories