



GENERAL FEATURES

- Ultrasonic working principle
- 0-50°C wide automatic temperature compensation
- Advanced algorithm adopted, not affected by low temperature
- Small blind area
- 2.5m, 5m, 10m wide measuring ranges
- Non-contact and up to 0.25%F.S accuracy customized
- Reverse polarity protection, surge lightning protection, anti-obstacle interference supported
- Short response time, power-off self-recovery function
- Economical and maintenance free design
- IP67 high protection class, IP68 can be customized

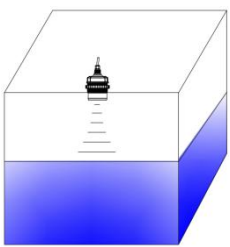
UE3003 is an ultrasonic level(distance) sensor that adopts non-contact measurement mode, with high reliability, maintenance-free features. It does not easily receive disturbance from environmental electromagnetic fields, and meets the transmission requirements in most closed or open containers.

The communication protocol used is Modbus-RTU, and the serial port supports 1200, 2400, 4800, 9600, 19200, 38400, 57600, 11 5200 baud rates.

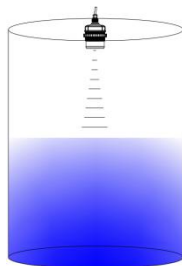
UE3003 owns high precision class. No matter 4-20mA, 0-5V, or RS485, it is all 0.25%-0.5%F.S, the blind area is small($\leq 150\text{mm}$), and it owns complete protection and receives little interference from obstacles. Its response is fast, and reading is stable. Meanwhile, we support OEM service.

APPLICATIONS

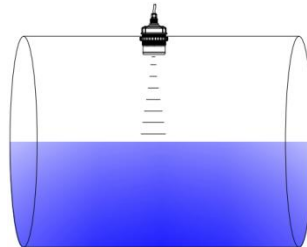
- Water, oil, diesel level measurement, pump control in tank etc.
- Treatment plants
- Food industry
- Chemical industry
- Rivers, channels, lakes...



For rectangular tanks



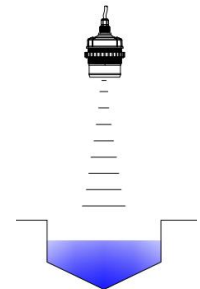
For cylinder tanks



For horizontal cylinder tanks



For cube tanks

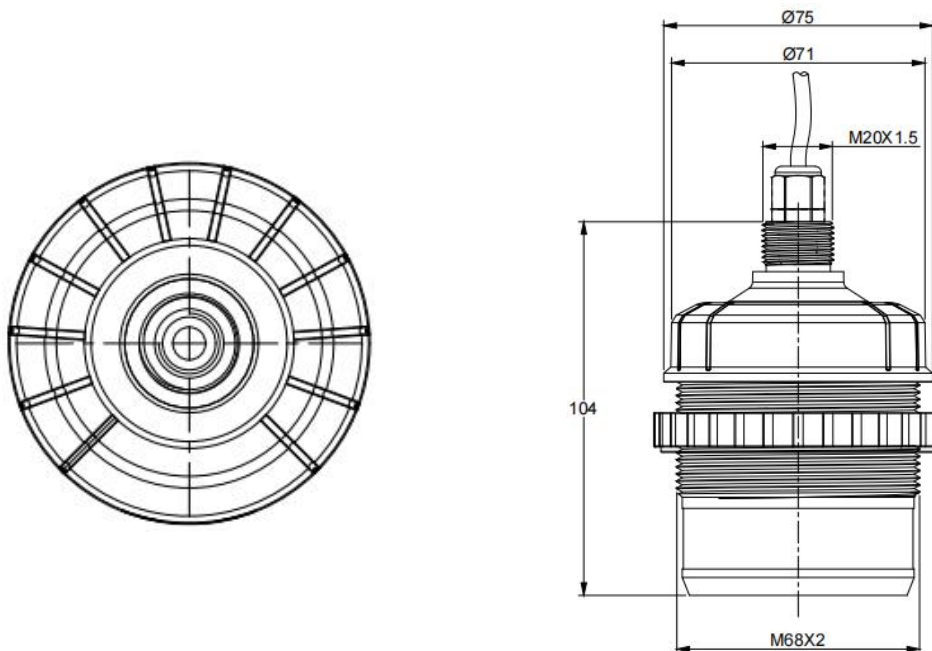


For flumes

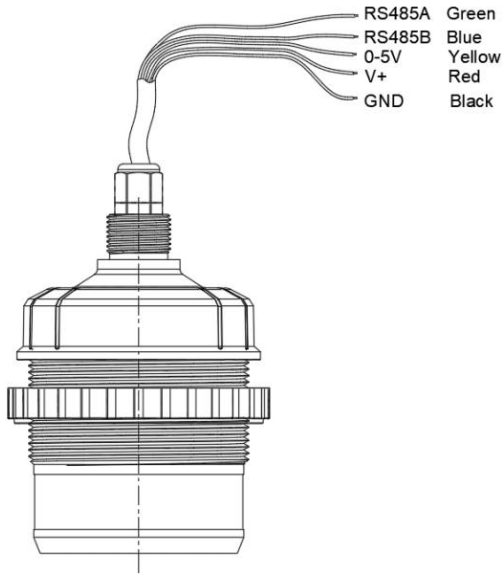
TECHNICAL SPECIFICATIONS

Measuring range	2.5m, 5m, 10m, others on request
Blind area	≤150mm(for 2.5m &5m ranges); ≤300mm(for 10m range)
Accuracy	0.5%F.S (typical), 0.25%F.S (by customized)
Beam angle	15°
Measuring mode	Distance mode(default), or level mode optional
Output signal	RS485+4~20mA; RS485+0~5V
Power supply	10~30VDC(24VDC recommended, 5~30VDC by customized)
Working temperature	-10~50℃ (-40~80℃ by customized)
Working current	≤100mA
Installation mode	Nut clamping fixed installation, screw-in installation, M68×2
Response time	0.1s~10s(adjustable)
Product material	Polypropylene + glass fiber
IP rating	IP67 typical, IP68 by customized

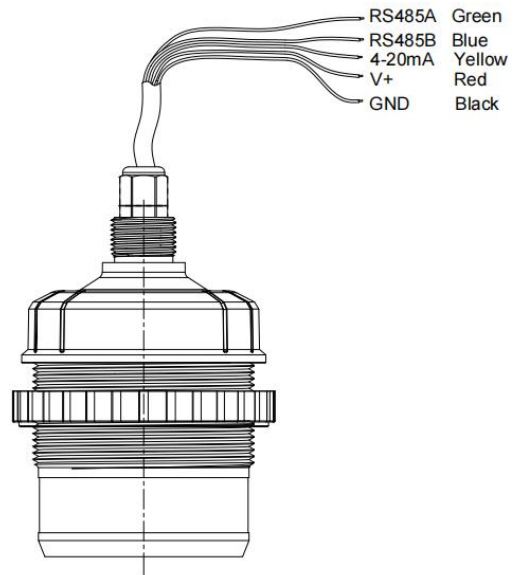
DIMENSIONS



ELECTRICAL CONNECTIONS

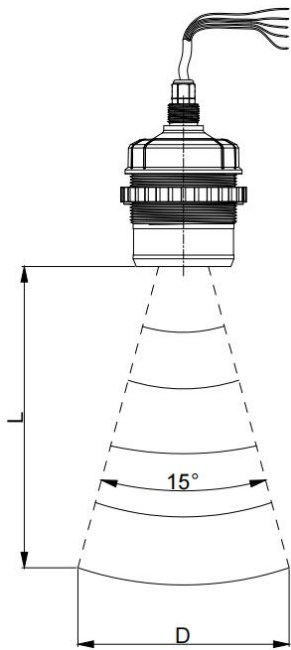


RS485+0-5V



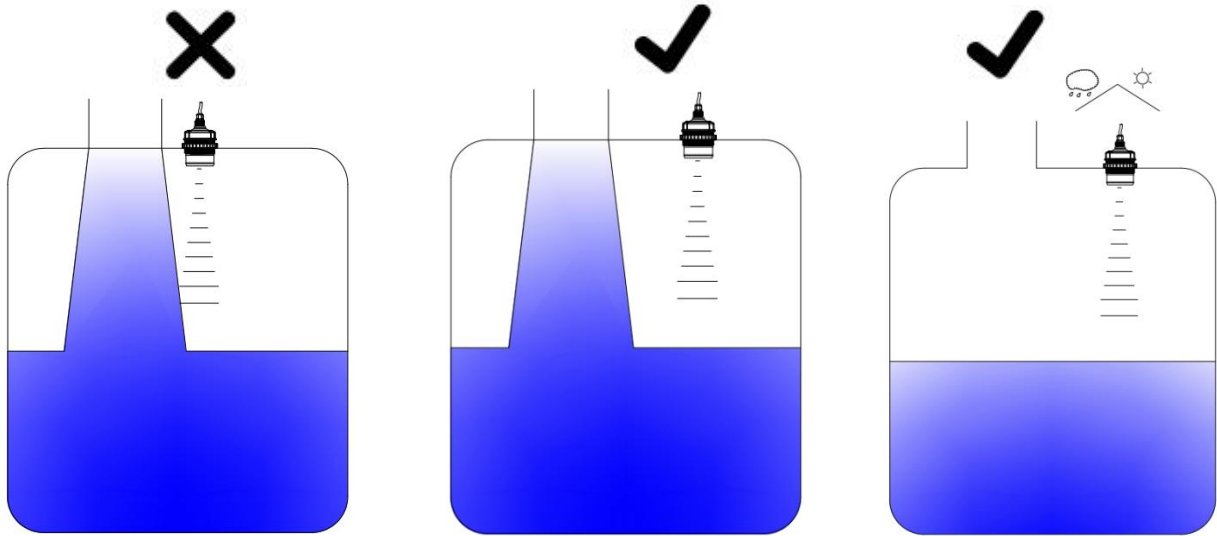
RS485+4-20mA

MECHANICAL MOUNTING

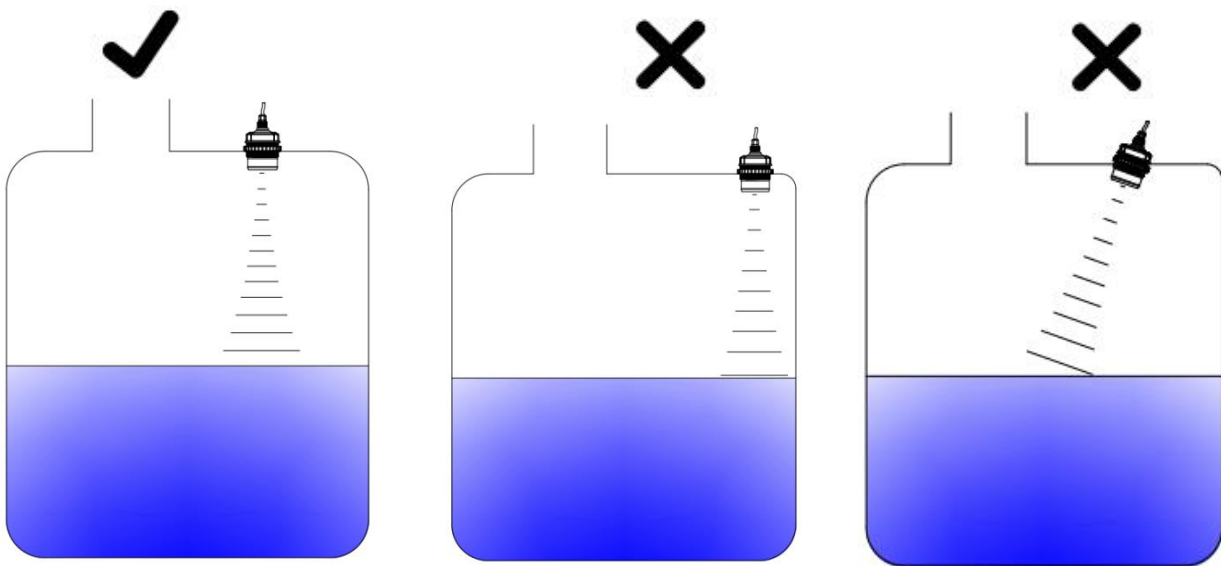


L	D
1m	30cm
2m	60cm
3m	90cm
4m	120cm
5m	150cm
6m	180cm
7m	210cm
8m	240cm
9m	270cm

MOUNTING WARNINGS



- For level measurement, the sensor must not be installed near the tank input.
- It is recommended that the sensor be protected against sun and rain.



- The sensor must be installed perpendicular to the surface to be measured and should not be placed close to the side surface.

HOW TO ORDER

Model No.		Accuracy		Accuracy		Cable length
		1=0.5%F.S(typical)		2=0.25%F.S(By customized)		0=no cable 1=Cable 1m X=Cable x m
UE3003	-	X	-	X	-	X

Measuring range

- 1=2.5m
- 2=5m
- 3=10m
- X=By customized

Signal output

- 1=RS485+4~20mA
- 2=RS485+0~5V
- X=By customized

Holykell Technology Company Limited



www.holykell.com



info@holykell.com



Tel: +86 731 89873265



Fax: +86 731 89873646