



### GENERAL FEATURES

- Ultrasonic working principle
- 0-50°C wide automatic temperature compensation
- Advanced algorithm adopted, not affected by low temperature
- Small blind area
- 2.5 m, 5 m, 10 m, 15 m wide measuring ranges
- Non-contact and up to 0.25%F.S accuracy customized
- Reverse polarity protection, surge lightning protection, anti-obstacle interference supported
- Short response time, power-off self-recovery function
- Economical and maintenance free design
- IP67 high protection class, IP68 can be customized

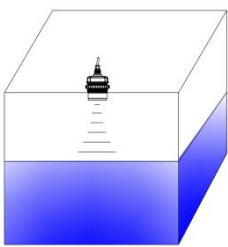
UE3003 is an ultrasonic level(distance) sensor that adopts non-contact measurement mode, with high reliability, maintenance-free features. It does not easily receive disturbance from environmental electromagnetic fields, and meets the transmission requirements in most closed or open containers.

The communication protocol used is Modbus-RTU, and the serial port supports 1200, 2400, 4800, 9600, 19200, 38400, 57600, 11 5200 baud rates.

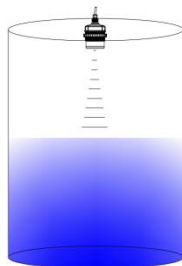
UE3003 owns high precision class. No matter 4-20 mA, 0-5 V, or RS485, it is all 0.25%-0.5%F.S, the blind area is small, and it owns complete protection and receives little interference from obstacles. Its response is fast, and reading is stable. Meanwhile, we support OEM service.

### APPLICATIONS

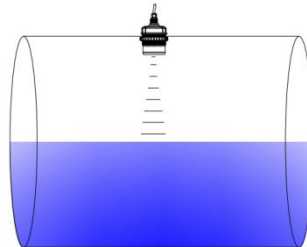
- Water, oil, diesel level measurement, pump control in tank etc.
- Treatment plants
- Food industry
- Chemical industry
- Rivers, channels, lakes...



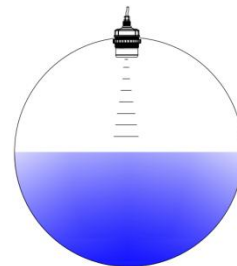
For rectangular tanks



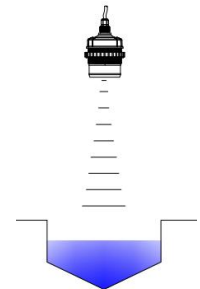
For cylinder tanks



For horizontal cylinder tanks



For cube tanks

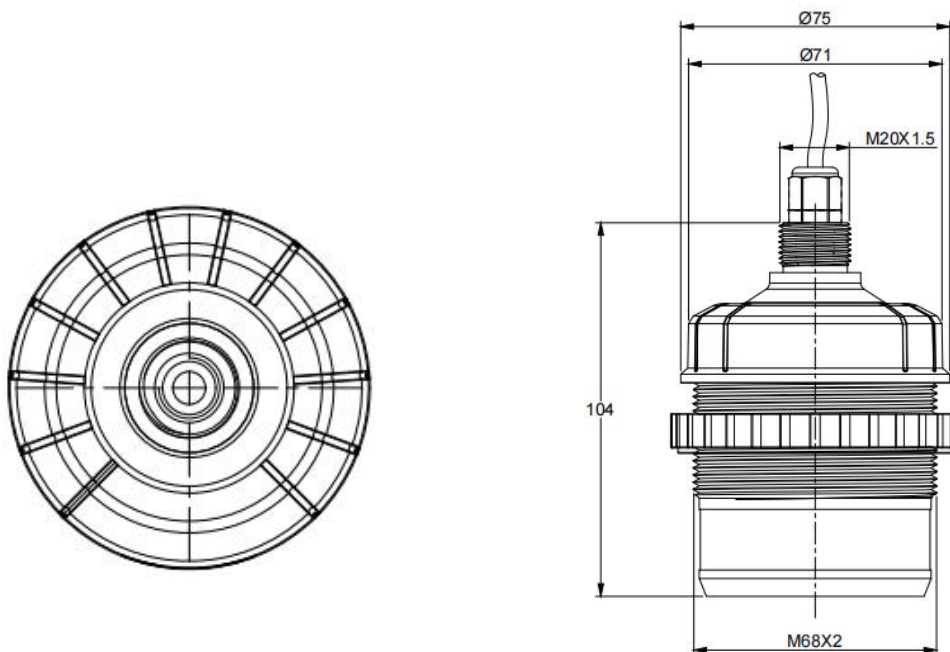


For flumes

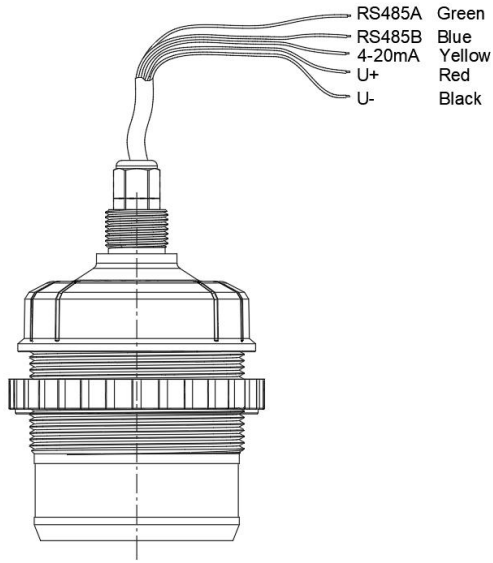
## TECHNICAL SPECIFICATIONS

Measuring range	2.5 m, 5 m, 10 m, 15 m, others on request
Blind area	4-20 mA/0-5 V(2.5 m/5 m):≤200 mm
	4-20 mA/0-5 V(10 m):≤300 mm
	4-20 mA/0-5 V(15 m):≤500 mm
Accuracy	0.5%F.S (typical), 0.25%F.S (by customized)
Beam angle	12°
Measuring mode	Distance mode(default), or level mode optional
Output signal	4-20 mA(3 wires) & RS485 Modbus RTU; 0-5 V(3 wires)&RS485 Modbus RTU Optional
Power supply	DC 24 V(default); DC 12 V(by customized)
Working temp.	-10 °C to +50 °C (-40 °C to +80 °C by customized)
Working current	≤300 mA
Installation mode	Nut clamping fixed installation, screw-in installation, M68×2
Response time	0.5s (2.5 m/5 m default); 1s (10 m default); 2s (15 m default); 0.5s to10s adjustable with software or Modbus commands, the faster, the shorter the lifetime
Product material	Polypropylene + glass fiber
IP rating	IP67 typical, IP68 by customized

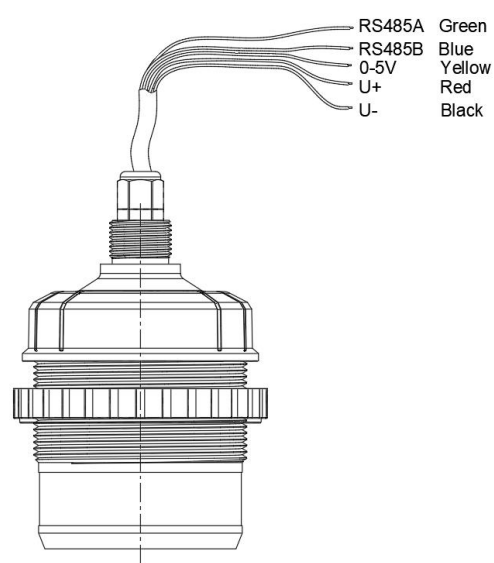
## DIMENSIONS



**ELECTRICAL CONNECTIONS**

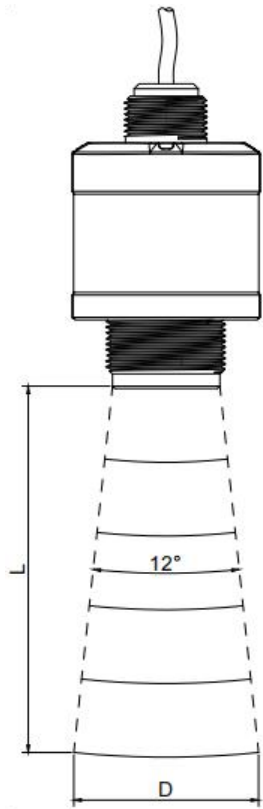


RS485+4-20mA



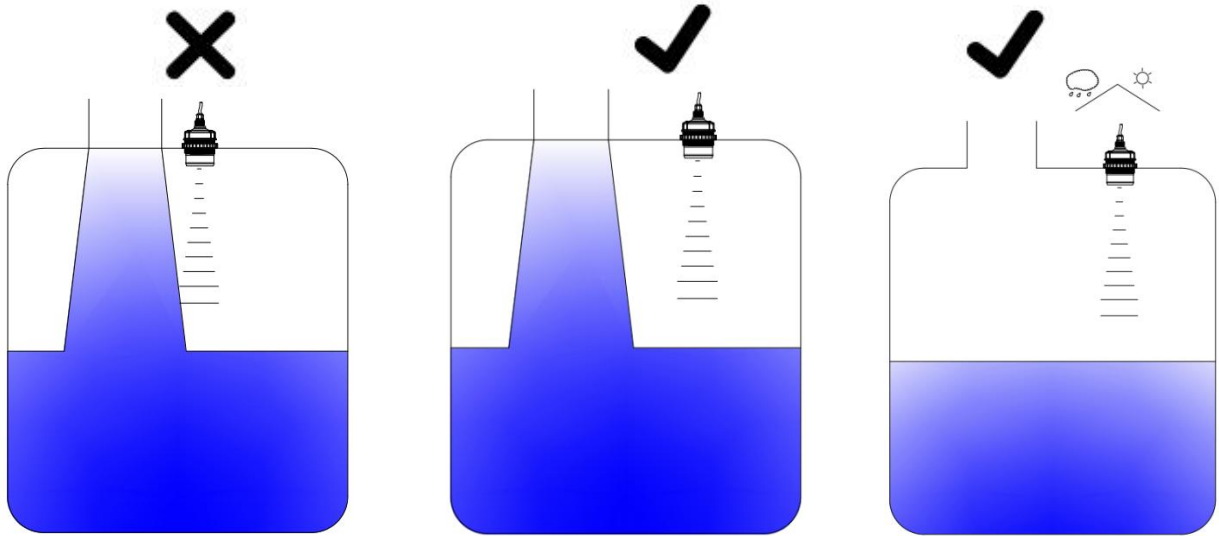
RS485+0-5V

**MECHANICAL MOUNTING**

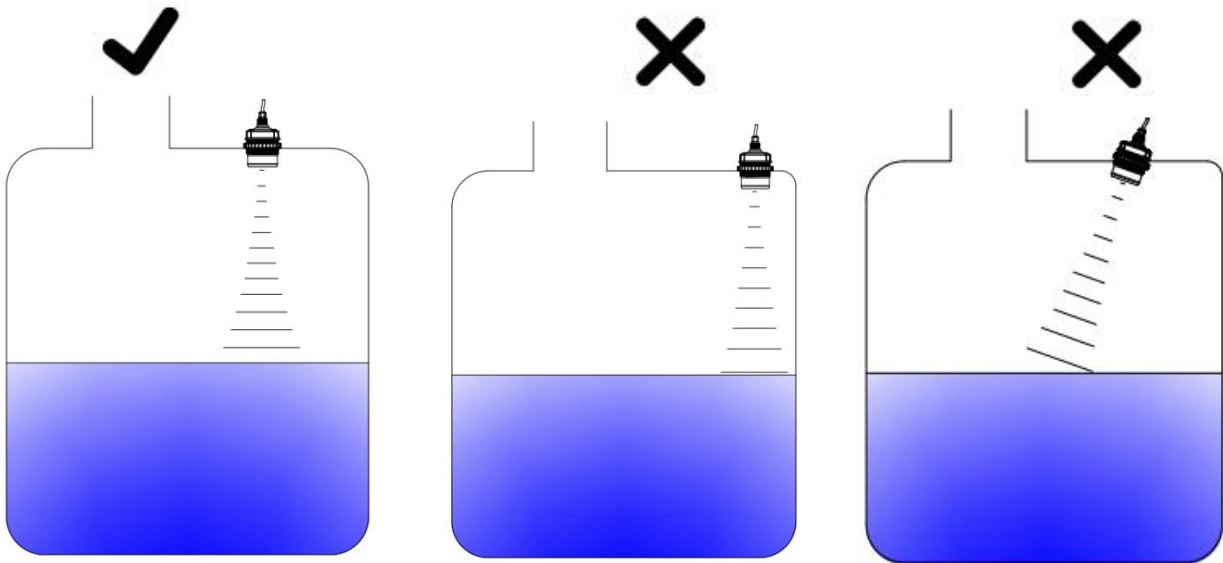


L	D
1m	25cm
2m	50cm
3m	70cm
4m	90cm
5m	120cm
8m	180cm
10m	225cm
12m	270cm
15m	330cm

**MOUNTING WARNINGS**



- For level measurement, the sensor must not be installed near the tank input.
- It is recommended that the sensor be protected against sun and rain.



- The sensor must be installed perpendicular to the surface to be measured and should not be placed close to the side surface.

## HOW TO ORDER

<b>Model No.</b>	<b>Accuracy</b> 1=0.5%FS(typical) 2=0.25%FS(By customized)	<b>Cable length</b> 0=no cable 1=Cable 1m X=Cable x m
------------------	--	--

UE3003
-
X
-
X
-
X
-
X

**Measuring range**

1=2.5m  
2=5m  
3=10m  
4=15m  
X=By customized

**Signal output**

1=4-20mA with RS485 Modbus RTU  
2=0-5V with RS485 Modbus RTU  
3=RS485 Modbus RTU  
4=4-20mA 3 wires  
5=0-5V 3 wires

Holykell Technology Company Limited



[www.holykell.com](http://www.holykell.com)

[info@holykell.com](mailto:info@holykell.com)



Tel: +86 731 89873265

Fax: +86 731 89873646