

TECHNOLOGY

HOLYKELL®

UE3005

LEVEL

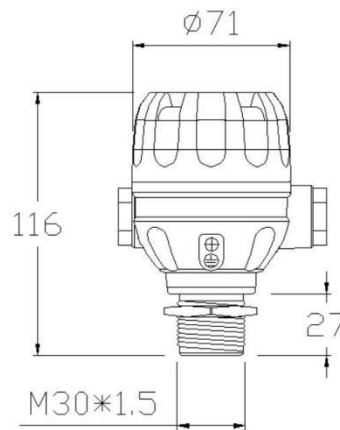
• DATASHEET •

1. Pressure Measurement 2. Level Measurement 3. Temperature Measurement
4. Flow Measurement 5. Display & Control Instruments

UE3005

Ultrasonic Distance/Level Sensors

Profiles



UE3005 small blind area ultrasonic level meter is a kind of product developed for some situations which require high precision, taking the advantages of various many level measuring instruments, and is a universal one characterized with full digital and humanized design. It has perfect level monitoring, data transmission and man-machine communication.

It features strong anti-interference performance; free setting of upper and lower limits and online output regulation, on-site display, optional analog, switching value, and RS485 output and easy connection with main unit. The housing, made of waterproof engineering plastics, is small with an ABS probe. It is applicable for various fields of level measuring and monitoring. According to the practical situation, other modules can be also added, such as RS 485, current output; it can match with PLC better.

Installation

1. Sensor should be placed where there is no obstacle between emission surfaces and measured liquid, it also should be far way from feeding ports, as Figure 1.

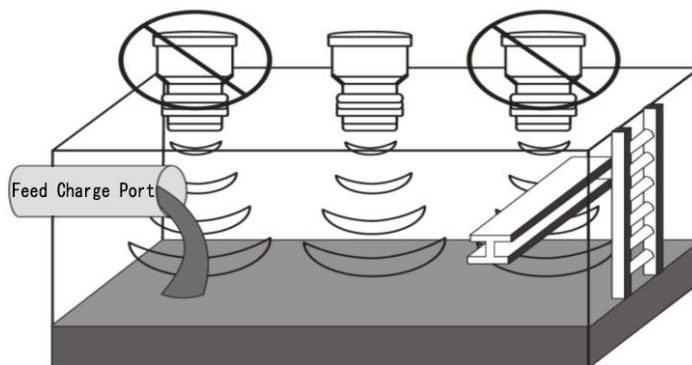


Figure 1

2. Tank shape should be considered. Some types of container bring second echo, especially conical and spherical tank. A good installation place will solve the problem, as Figure 2.

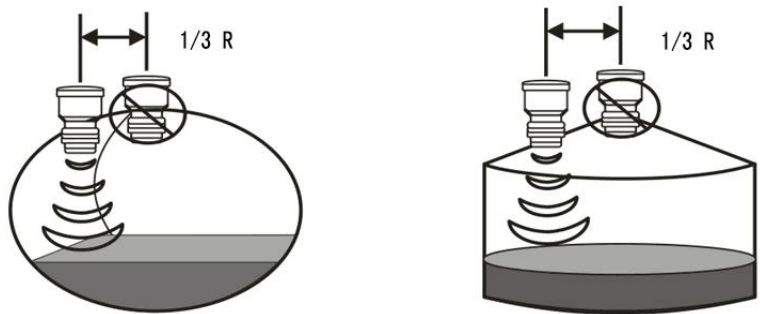


Figure 2

3. Lever meter can be installed by flange or $\varnothing 61$ hole, whatever installation way, make sure the sensor bottom go through the installation hole or flange, as Figure 3.

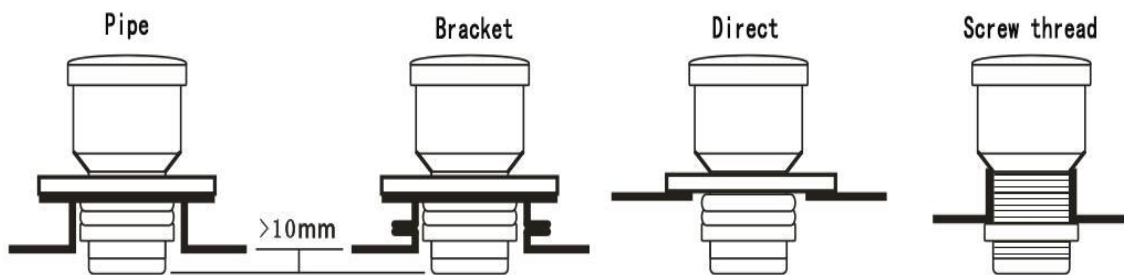


Figure 3

4. If the liquid to be measured has sewage, afloat impurities or fluctuation, use a waveguide and the diameter of the waveguide should over 120mm, as Figure 4.

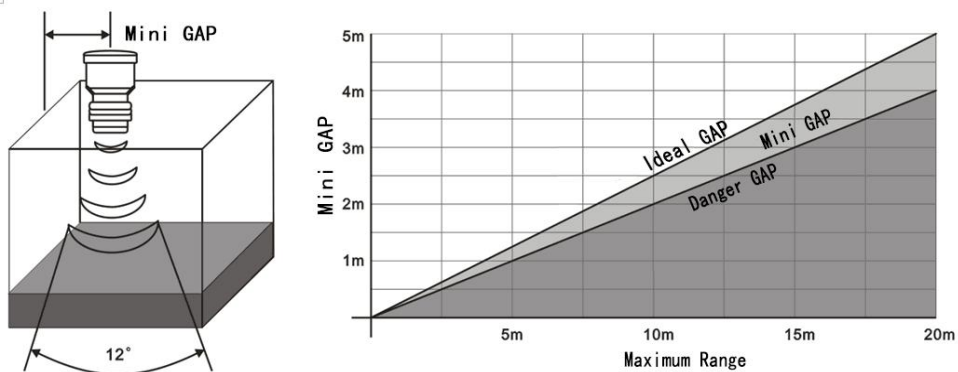


Figure 4

Features

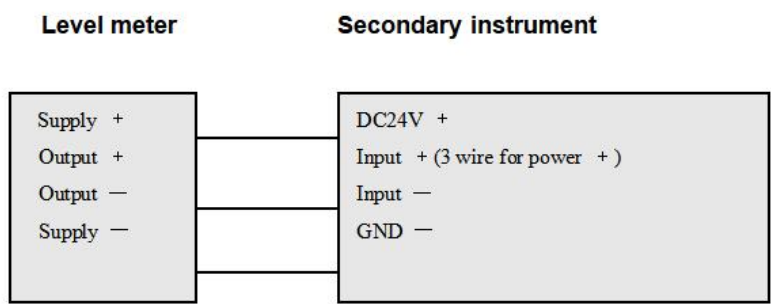
- DC12-24V wide work voltage
- Backup and recovery parameter set
- Free adjustment of the range of analog output
- Set a filter value to remove
- Custom serial port data format
- Optional increment/difference distance measurement to measure air space or liquid level
- 1-15 transmitted pulse intensity depending on working conditions
- More choices depend on your requirement, as bellow:**
- 2 NPN
- 2 relay output
- Voltage output
- RS485output connect with PC

Specification

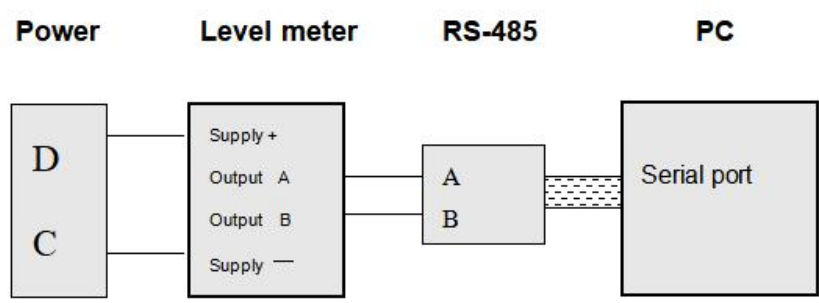
Parameter	UE3005		
Range	1m, 2m		
Blind area	<0.06m, <0.15m		
Frequency	20KHz~350KHz		
Accuracy	±1mm, ±2mm		
Output	Analog signal 4-20mA, RL>600Ω(standard); 1-5V; 1-10V	Digital signal RS485	3NPN
Power supply	12-24VDC		
Consumption	< 1.5W		
Display	OLED		
Resolution	1mm		
Operation temp.	Ordinary temperature		
Material	Cast Aluminum/304SS		
Cable	1.5m (others optional)		
Dimension	Φ71mm×116mm×M30		
Installation	M30X1.5		

Wiring connection

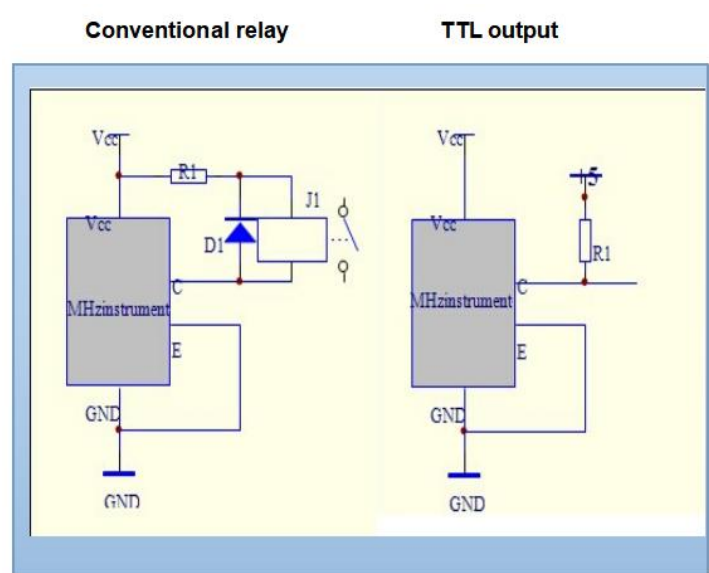
1. Wiring diagram of current (voltage) output connecting with secondary instrument



2. Serial output connecting with PC



3. NPN output wiring diagram



How to Order

Part Number Selection Table

UE3005		01		A		U1		A2		T1		002	
Selection Type													
Range	01= 1 m 02= 2 m												
Water Proof	A= IP66 D=IP68			B= IP65			C= IP67						
Power Supply	U1=DC12V U2=DC24V												
Output	A2=Current Output (4-20mA 2 wires) A3=Current Output (4-20mA 3 wires) A4=Current Output (4-20mA 4 wires) N3=3NPN V2= Voltage output (1-5V) V3= Voltage output (1-10V) R=Digital RS485 X=By Customized												
Temperature	T= 0...50 °C T1= -10...60 °C T2= -20...70 °C												
Cable Length	001= 1.5m					X= By Customized							